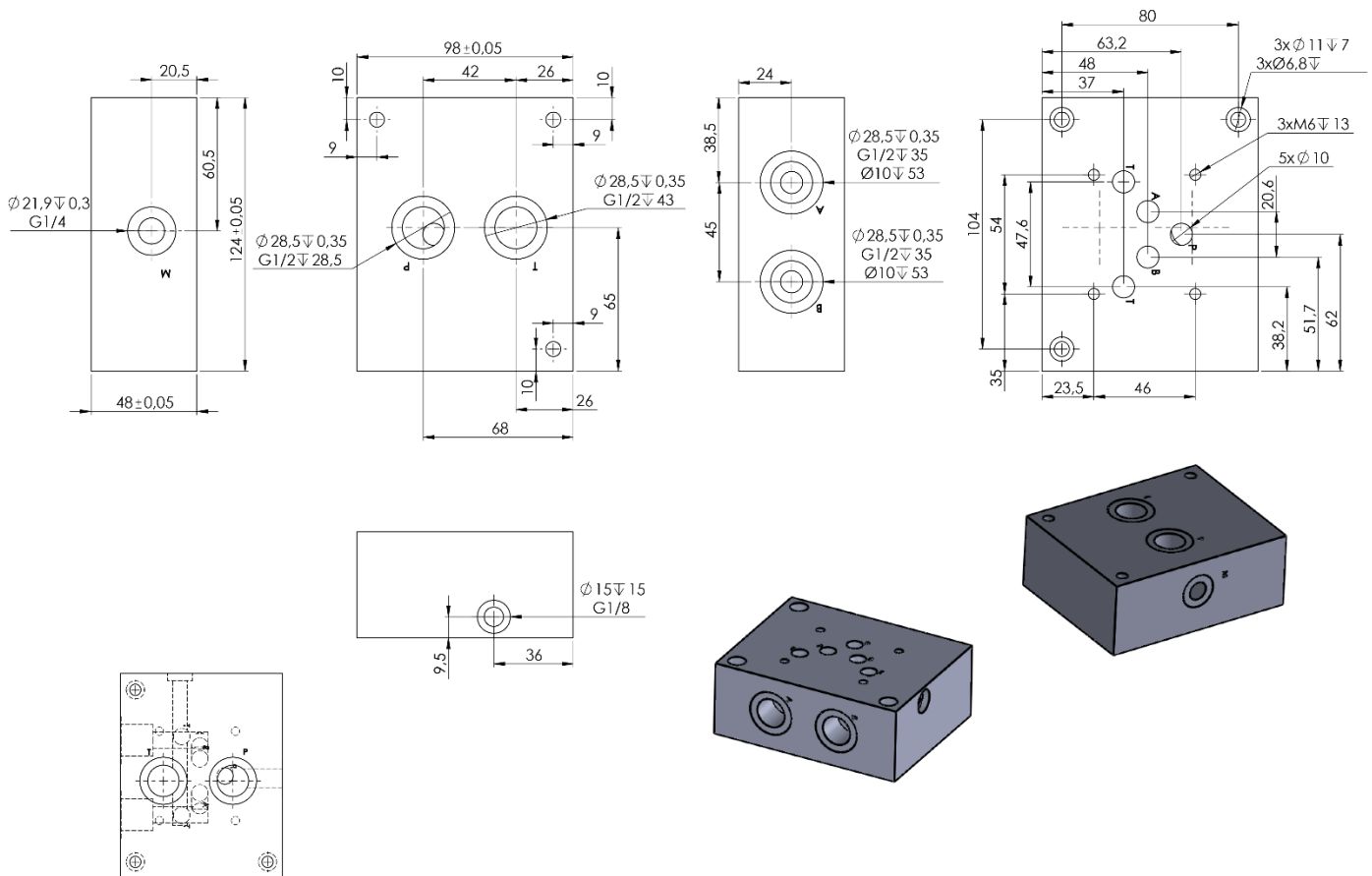


DATASHEET – DIMENSIONS

14746 - CETOP BASE PLATE NG10-1



Technical information	
Type:	NG10-1
Material:	Aluminum
Pressure:	max. 250 bar
Flow:	max. 80 l/min